

Description

Davos Highbay is suitable for wholesale and distribution channels with simple & Friendly design. Smaller Size and lighter

Key Features

- Cost-effective: 140lm/w with best price
- Equiv. to Metal Halide lamps
- IP65

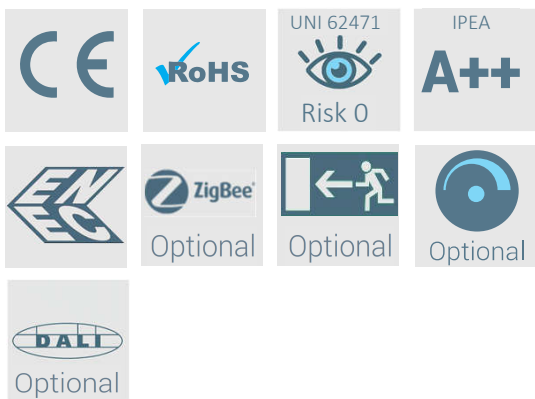
Applications

- Warehouse
- Industrial Facility
- Exhibition Center
- Shopping Mall
- Gymnasium
- Stations

Specifications

Model No.	SLHB01A050S	SLHB01A070S	SLHB01A090S	SLHB01B100S
Power Consumption	50W	70W	90W	100W
LED Type	Nichia SMD			
Luminous Flux up to	7000lm	9800lm	12600lm	14000lm
Efficacy (5000K Ra70)	140 lm/W			
Correlated Color Temperature	5000K (3000K, 4000K optional)			
Color Rendering Index	Ra70 (Ra80 optional)			
Beam Angle	H19601 H00B01 H00A01H00B02			H00A02 H00B03 H00B04 H25201 H25202 H25203
Driver Type	Electronic - Constant Current (CC)			
Input Voltage	100-240 VAC / AC100-277V			
Power Factor	>0.90	>0.93		
Frequency	50 / 60 Hz			
Surge Protection	4kV line-line, 4kV line-earth			
Product Dimension (mm)	φ264x171			φ383x192
Luminaire Net Weight (kg)	2.4±0.3	3.1±0.3		7.0±0.3
Material	Housing	Aluminum Alloy		
	Optics	PC cover		
Finish	Powder Coating			
Fixture Color	White/Black			
Protection Rating	IP20	IP65		
Mounting Option	Ceiling Mounting	Loop Hanging Wall Mounting	Loop Hanging Ceiling Mounting Wall Mounting	
Operating Temperature	-30°C to + 50°C			
Life Time	>50,000Hrs (Ta=30°C@L70)			
Warranty	5 Years			
Intelligent Control Optional	Motion Sensor (Detection range: 15m high) (final code -Q)			
	no	ZigBee wireless control (final code -Z)		
	No Emergency system			Emergency (-E)
	no	DALI (final code -D)		
	no	1-10V dimming (final code -V)		
Accessory	no	non-adjustable bracket		
	no	pipe mounting bracket		
	safety chain (250mm chain, M8+M8 hook=340mm)			
	Plug - EU/US/AU Standard Plug			
		Reflector - PC / Aluminium Reflector		
		PC Cover - H00A02 / H00B03 / H00B04		

The values in this technical data sheet are to be considered subject to tolerances

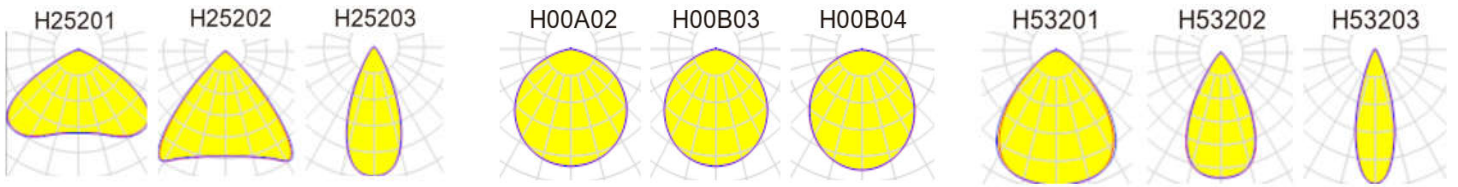


Specifications

Model No.	SLHB01B120S	SLHB01B150S	SLHB01C200S	SLHB01D240S	SLHB01E300S
Power Consumption	120W	150W	200W	240W	300W
LED Type	Nichia SMD				
Luminous Flux up to	16800lm	21000lm	28000lm	36000lm	45000lm
Efficacy (5000K Ra70)	140(±5%) lm/W			150(±5%) lm/W	
Correlated Color Temperature	5000K (3000K, 4000K optional)				
Color Rendering Index	Ra70 (Ra80 optional)				
Beam Angle	H00A02 H00B03 H00B04 H25201 H25202 H25203			H00A02 H00B03 H00B04 H53201 H53202 H53203	
Driver Type	Electronic - Constant Current (CC)				
Input Voltage	100-240 VAC / AC100-277V				
Power Factor	>0.92		>0.93		>0.94
Frequency	50 / 60 Hz				
Surge Protection	4kV line-line, 4kV line-earth				
Product Dimension (mm)	φ383x192		φ383x211		φ383x254
Luminaire Net Weight (kg)	7.0±0.3		7.8±0.3		7.0±0.3
Material	Housing	Aluminum Alloy			
	Optics	PC cover			
Finish	Powder Coating				
Fixture Color	Black/White/Grey/Black Body&Red Front				
Protection Rating	IP65				
Mounting Option	Loop Hanging Ceiling Mounting Wall Mounting				Loop Hanging
Operating Temperature	-30°C to + 50°C				
Life Time	>50,000Hrs (Ta=30°C@L70)				
Warranty	5 Years				
Intelligent Control Optional	Motion Sensor (Detection range: 15m high) (final code -Q)				
	ZigBee wireless control (final code -Z)				
	Emergency (final code -E)				
	DALI (final code -D)				
	1-10V dimming (final code -V)				
Accessory	Bracket - Adjustable / Non-adjustable Bracket				
	Bracket - Pipe Mounting Bracket for ½ " or ¾ " NPT				
	Safety Chain - 250mm chain, M8 + M8 Hook				
	Plug - EU/US/AU Standard Plug				
	PC Cover - H00A02 / H00B03 / H00B04				
Reflector - PC / Aluminium Reflector					

The values in this technical data sheet are to be considered subject to tolerances

Photometry



Mounting Options

Loop Hanging



Ceiling Mounting



Pipe Mounting



Bracket Mounting

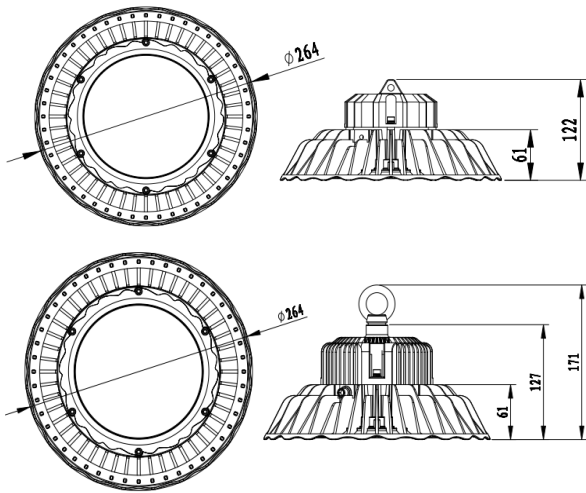


Pole Mounting

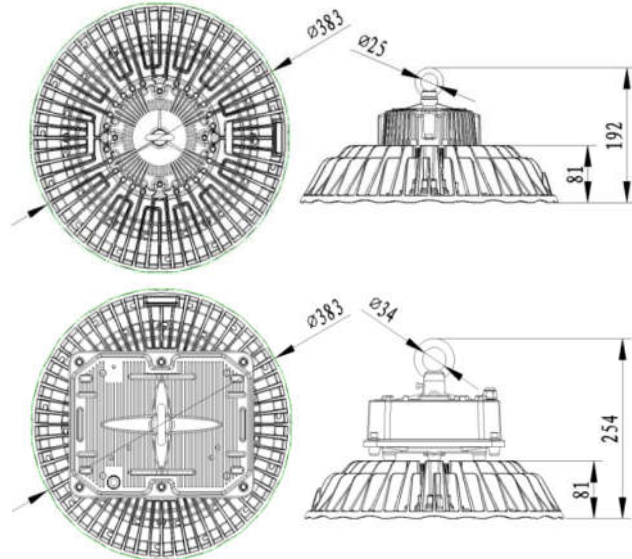


Dimensions

50W - 90W



100W - 240W



Accessories



PC Lens



Tempered Glass



PC Reflector



Aluminum Reflector



± 45 Deg Bracket



180 Deg Bracket



Safety Chain



Pipe Mount Bracket