

Specifications

Model No.	SLCL101L012S	SLCL101L016S	SLCL101L020S
Power Consumption	12W	16W	20W
LED Type	SMD2835		
Luminous Flux (±3%)	1200lm	1600lm	2000lm
Efficacy	100(±3%)lm/W(4000K Ra70)		
Correlated Color	4000K (3000K, 5000K optional)		
Color Rendering Index	Ra80 (Ra90 optional)		
SDCM	<6		
Beam Angle	120°		
Power Supply	Electronic Driver		
Input Voltage	AC200-240V		
Power Factor	>0.90		
Frequency	50/60 Hz		
Driver Type	Constant Current (CC)		
Product Dimension	Ø300x90.8mm		
Net Weight	0.695±0.1kg		
Material	Housing	ABS	
	Optics	Polycarbonate Diffuser	
Protection Class	Class II		
IP Rating	IP65		
Installation Method	Surface mount		
Operating Temperature	-20°C to +45°C		
Life Time	>50,000Hrs (Ta=25°)		
Warranty	5 Years		
Intelligent Control (Optional)	Dimmable		
	Daylight Control (On/Off)		
	Emergency kits		
	1-10V dimming		
	CCT Selection DIP Switch		

The values in this technical data sheet are to be considered subject to tolerances

Description

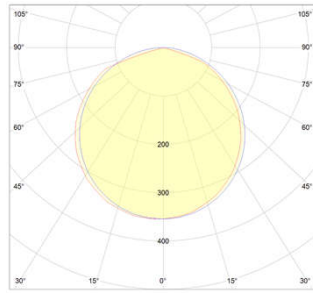
SLCL101 is a high performance ceiling light. Adopt high lumen 2835 SMD chip and PC diffuser, the whole design has a large lighting area and light weight. Easy to install: labour saving with quick terminal block. Cost saving with driver replaceable design. High waterproof level with multiple functions.

Key Features

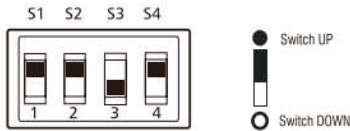
- Driver replaceable.
- High lumen efficiency, 100lm/W.
- Interchangeable CCT(3000K/4000K/5700K) with slide switch.
- IP65 waterproof.
- Anti-theft design available.
- Three shapes cover optional.
- Adjustable sensor, emergency function available

Applications

- Office & school lighting: office room, meeting room, class room etc.
- Commercial lighting: shopping mall, super market, retailer shops etc.
- Other situations: hospital, laboratory, dust-free workshop etc.

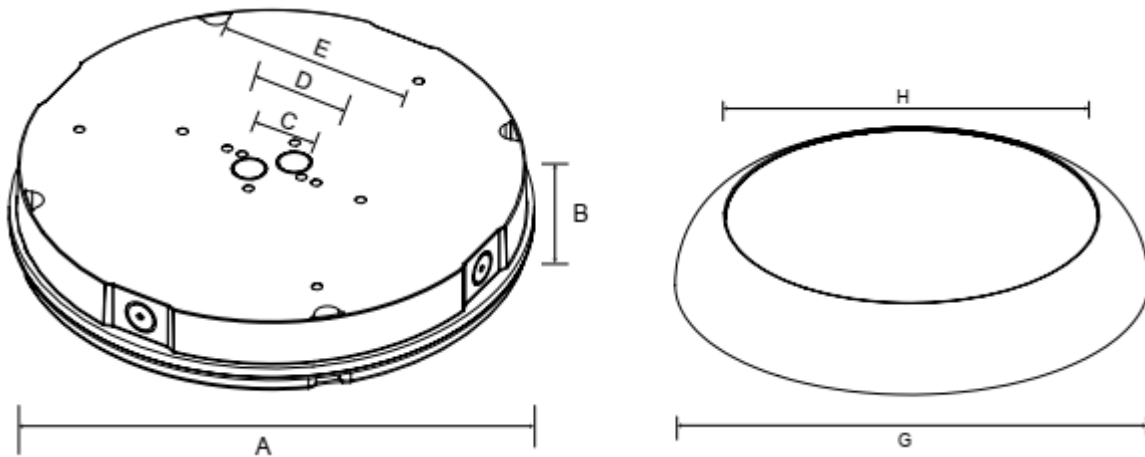


Sensor Options



<p>Detection area</p> <p>S1 <input type="checkbox"/> 100% <input checked="" type="checkbox"/> 50%</p> <p>1</p> <p>Detection area means detection coverage. It can be adjusted by combining DIP switches for specific application.</p>	<p>Hold-time</p> <p>S2 S3 <input checked="" type="checkbox"/> <input checked="" type="checkbox"/> 5s <input type="checkbox"/> <input checked="" type="checkbox"/> 60s <input type="checkbox"/> <input type="checkbox"/> 5min <input type="checkbox"/> <input type="checkbox"/> 10min</p> <p>2 3</p> <p>Hold-time means the time period the light will be ON after the last detection.</p>	<p>Daylight threshold</p> <p>S4 <input checked="" type="checkbox"/> Disable <input type="checkbox"/> 30lux</p> <p>4</p> <p>Daylight sensor prior to motion sensor. Set threshold for specific needs. If Disable, only motion sensor works.</p>
--	--	---

Dimensions



Dimension(mm)							
A	B	C	D	E	F	G	H
300	90.8	40	60	120	230	330	259

Accessories



Full Bezel



Grill Bezel



Eyelid Bezel