

Description

Berna High lumen efficacy up to 150lm/W, various beam angle 60°, 90°, 120°. Built-in microwave sensor makes Berna compact and looks small. No dust accumulation design will help the fixture better heat dissipation and work longer. Berna high bay will be an excellent luminaire for heavy dust area, like carpenter workshop, paper processing area, etc.

Key Features

- Impact rating IK10
- Dust-free accumulation design, better heat dissipation.
- Built-in microwave motion sensor, looks much compact.
- Well-sealed with dust tight and waterproof rating of IP65.
- Multiple mounting options.
- UGR <25

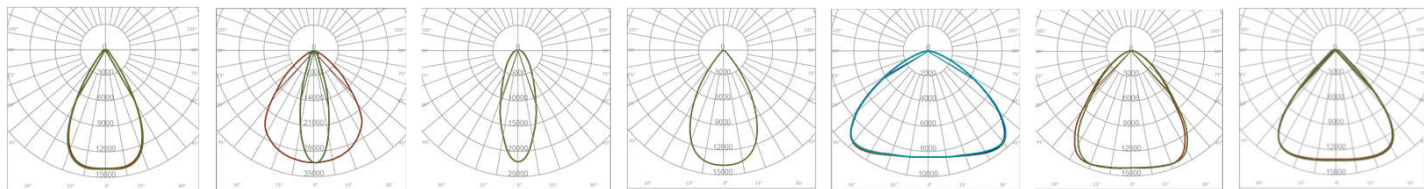
Applications

- Warehouse
- Industrial Facility
- Exhibition Center
- Shopping Mall
- Gymnasium
- Stations

Specifications

Model No.	SLHB35A100S	SLHB35A120S	SLHB35A150S	SLHB35A200S	SLHB35A240S
Power Consumption	100W	120W	150W	200W	240W
LED Type	SMD3030				
Luminous Flux up to	14500lm	17400lm	21750lm	29000lm	45600lm
Efficacy up to	150 lm/W				
Correlated Color Temperature	5000K (3000K, 4000K optional)				
Color Rendering Index	Ra80				
Beam Angle	601/602/108/111/115/121				
Power Supply	Electronic driver				
Input Voltage	100-240V				
Power Factor	>0.95				
Frequency	50 / 60 Hz				
Surge Protection	6kV line-line, 10kV line-earth				
Product Dimension	φ365 x 244mm				
Luminaire Net Weight	5.5±0.3kg	5.6±0.3kg			5.7±0.3kg
Carton Size	410x410x240mm				
Gross Weight	6.8±0.3kg	6.9±0.3kg			7.0±0.3kg
Material	Housing	Aluminum Alloy			
	Optics	Polycarbonate optical Lens			
Finish	Powder Coating				
Fixture Color	Black				
Protection Rating	IP65				
Impact Rating	IK10				
Mounting Option	Loop Hanging / Ceiling Mounting / Wall Mounting				
Operating Temperature	-30°C to + 50°C				
TM-21	L80 B10 @100.000 hours (Ta=25°)				
Intelligent Control Optional	Dimmable (final code -V)				
	DALI (final code -D)				
	Zigbee (final code -Z)				
	Motion Sensor (final code -Q)				
Accessory	Safety Chain - 250mm chain, M8 + M8 Hook>340mm				

The values in this technical data sheet are to be considered subject to tolerances



602

401
On request

121

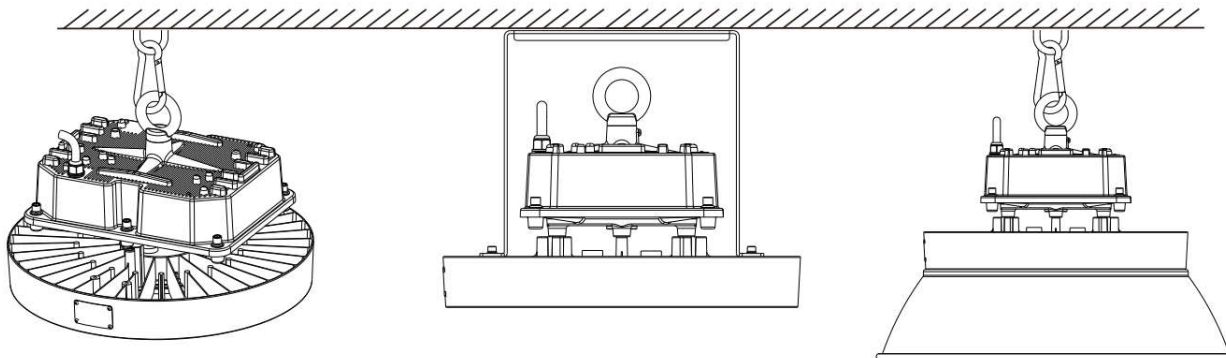
111

115

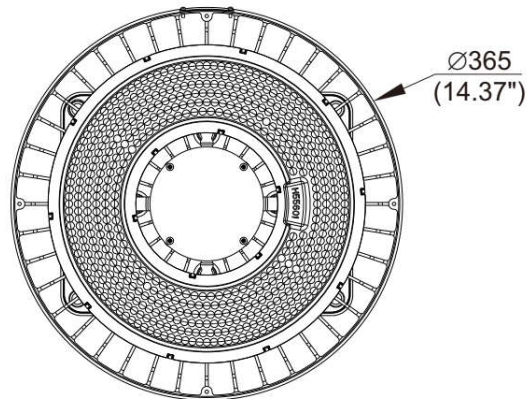
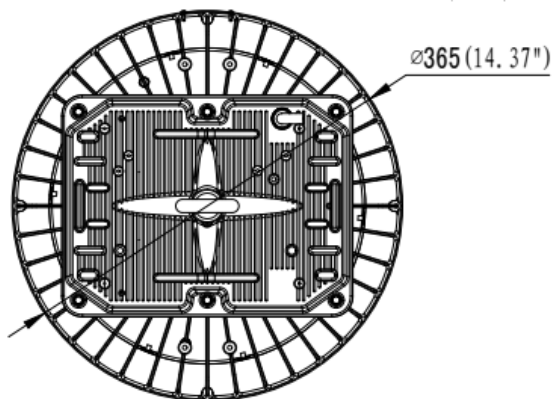
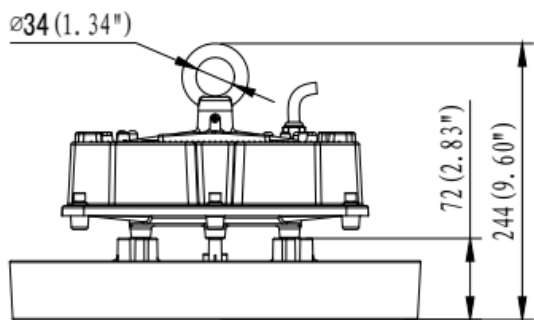
108

601

Mounting Options



Dimensions



Accessories



PC Lens



Safety Chain